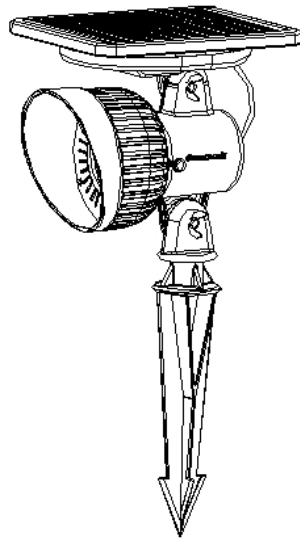




Progressive Solar Spot Light

Instruction Manual

Model: GS-103 / GS-103WW



Introduction

Thank you for your purchase. **GAMA SONIC®** solar charged accent lighting eliminates the problems associated with most solar lighting available today. **GAMA SONIC®** solar charged lights are brighter and last all night with a typical solar charge. Unique design, superior light output and numerous installation options confirm the outstanding value of our product.

GAMA SONIC® has been recognized as a worldwide leader in the lighting industry for over 20 years. The company also offers unique multi-purpose rechargeable products that range from party lights to emergency lighting products.

For technical assistance and more information call our Toll Free number: 800-835-4113 (only within the US) or visit our website at:

www.gamasonic.com.

Please read the instruction manual carefully to obtain the best results from your purchase.

Unpack and identify the following parts:

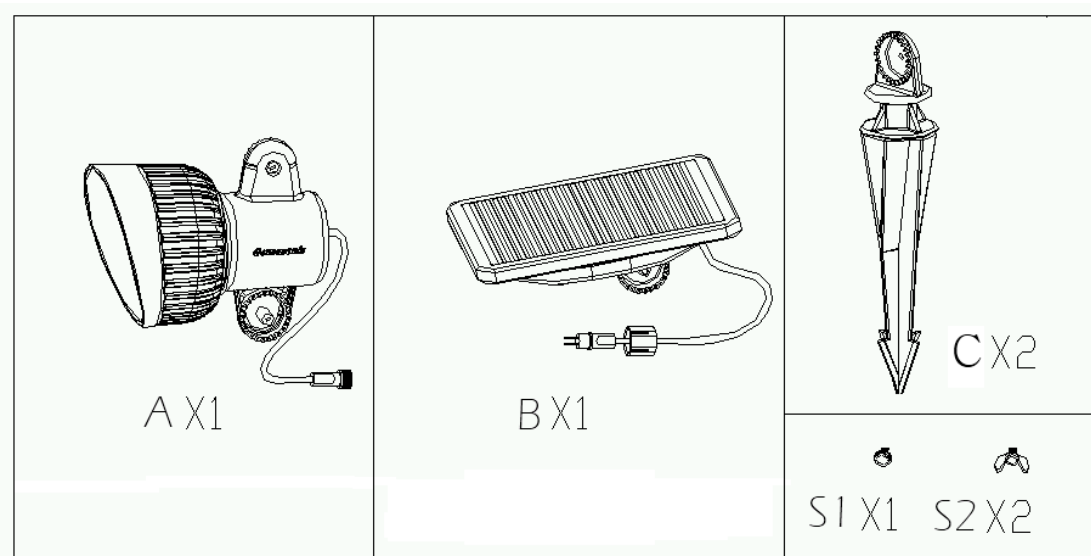


Fig. 1

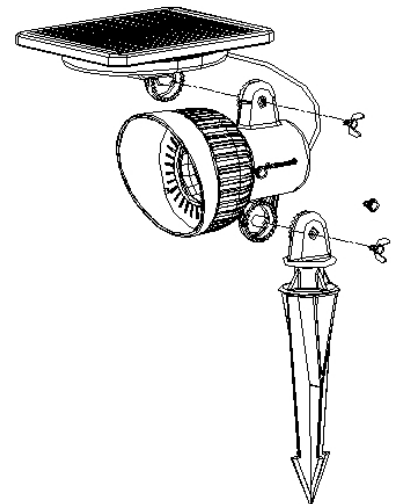
Solar Spot Light Location

1. Place the solar spot light in a position where sun will shine directly on the solar panel free from any obstacles and shade.
2. Make sure that the solar panel is not going to be affected by any other light source at night. Otherwise the light will not illuminate after dusk.

Assembly Instructions for solar panel and light together

1. Assemble the Stake (C) onto the body unit (A) using the wing screw (S2) provided (Fig. 1).
2. Assemble the solar panel (B) onto the body unit (A) using the wing screw (S2) provided (Fig. 1).

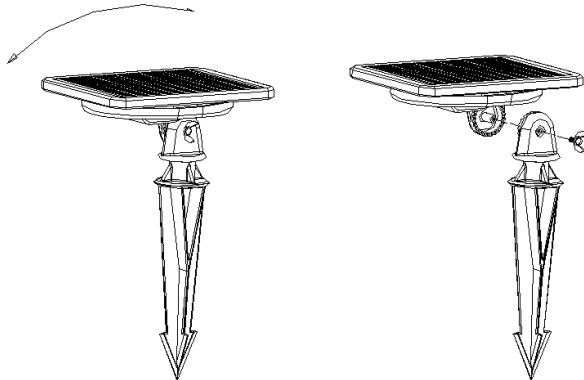
NOTE: If the ground is hard and packed, moisten the ground with water before inserting the stake to avoid possible damage to the unit.



Assembly Instructions for solar panel and light separated

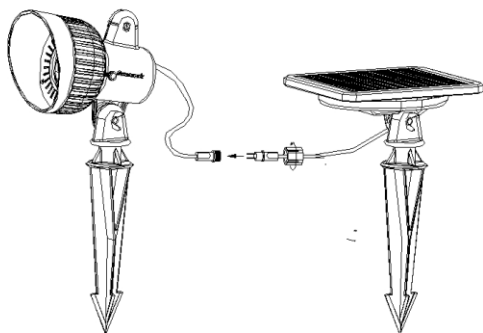
In case you need to install the solar panel remotely for maximum sun exposure, follow the instructions below.

Fig. 2



1. To install the solar panel in a remote location, unwind the extension wire under the solar panel to the desired length.
2. Assemble the solar panel (B) onto the stake (C) using the wing screw provided (Fig. 2).
3. Assemble the second Stake (C) onto the body unit (A) using the wing screw (S2) provided (Fig. 1) and connect the wires between the solar panel and the light (Fig. 3).

Fig. 3



Note: 45 degree toward the south is the recommended angle and direction in North America to absorb maximum sun energy during the day.

Operation

The On/Off switch is located on the bottom side of the solar panel. Turn the light On and Off by pushing the switch in the appropriate direction for On/Off. (Fig. 4).

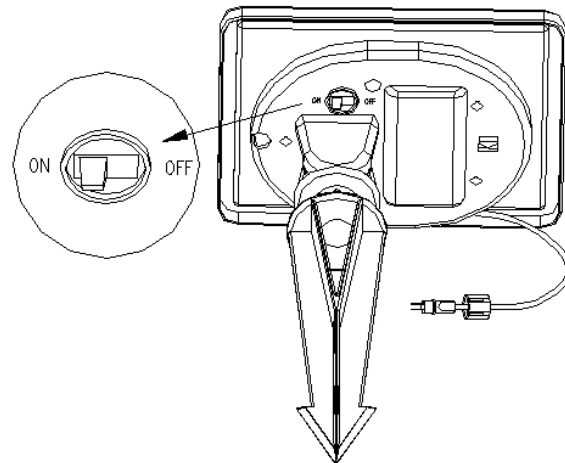
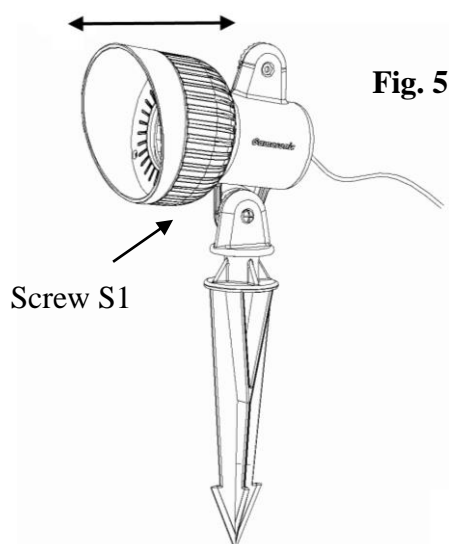


Fig. 4

Adjustable Lens - Focus

You can adjust the focus beam of the light by moving the lens forward and backwards (Fig. 5).

1. Loosen screw S1 (Fig. 5) until you can easily move the lens to the desired position and retighten. (It may take just a half turn to loosen the screw)



NOTE: For best results the solar spot light must be charged for two full sunny days while in the “OFF” position.

Replacing the Batteries

(After 2-3 years of use, the batteries may need replacing).

1. Unscrew the 3 screws on backside of the solar panel (Fig. 6).
2. Remove the battery pack by unclipping the connector. Make sure the new battery pack is high quality Li-Ion rechargeable batteries.
3. Connect the new battery pack and place into the battery compartment.
4. Reassemble the unit by reversing the above procedure.

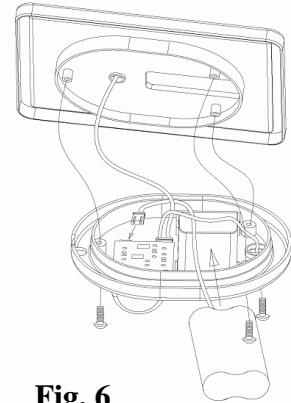


Fig. 6

**** Batteries are available at www.gamasonicstore.com**

WARNING: Do not dispose of Li-Ion battery in the regular trash, municipal waste stream or by fire as batteries may leak or explode. Do not open, short circuit, or mutilate batteries as injury may occur. Preserve our environment by recycling Li-Ion batteries or disposing of them in accordance with local, State and federal regulations. Do not mix old and new batteries.

Maintenance

Clean the solar panel regularly with a damp towel to guarantee optimum performance of the solar panel. Do not use any type of solvent for cleaning and be careful not to put too much pressure on the module while cleaning.

Trouble Shooting

If your solar charged light does not come on at dusk despite observance of all the instructions, please try the following steps:

1. Make sure that the solar light is not being affected by any other light source.
2. Ensure the solar light is not affected by any shade during the day.
3. Make sure the light is in the 'ON' position.
4. Check that the batteries are installed correctly.

NOTE: The performance of the solar lamp will vary with the time of year. It will deliver more light when it has had a full day of direct sun rather than a day in overcast weather.

WINTERTIME TIPS: For optimal performance, be sure to remove any snow or debris accumulation from the solar panel. A solar panel free of debris will charge the batteries much more efficiently.

WARNING: Please keep out of reach of children.

